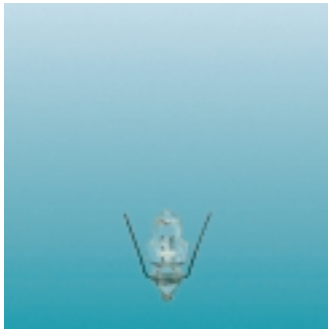


Miniature and signalling lamps

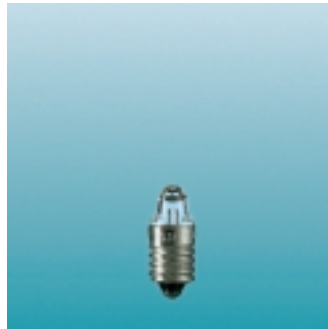
Conventional flashlight



Standard E10



Lens-end capless



Lens-end E10/13



Prefocus P13.5s

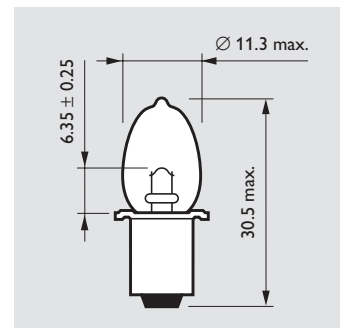
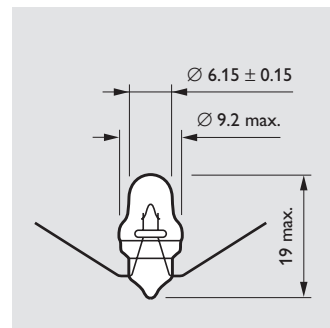
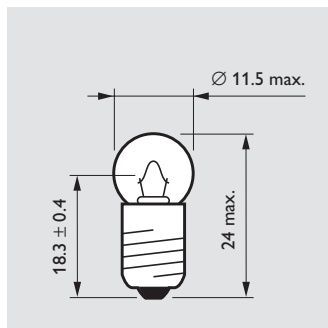
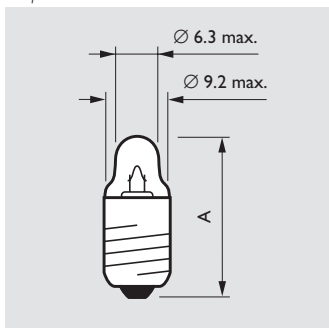
Conventional incandescent miniature lamps feature a prefocus lamp base or a screw base and give an even spread of light for flashlight purposes, mainly in torches.

Basically, there are three groups of conventional flashlight lamps: prefocus base, E10 base and lens-end. The prefocus base types, characterised by accurate positioning of the filament, are available in vacuum and gas-filled types, the latter either with krypton or xenon added to the argon filling gas.

The lamps with E10 base, for effective use in most conventional torches, are available in both vacuum types and (in vacuum and krypton versions) with lens-end bulbs. The lens-end types feature an integral lens for pencil lamps, to give a strong, concentrated spot of light. Conventional flashlight lamps have a universal burning position.

Applications

- Torches
- Toys
- Bicycle headlamps



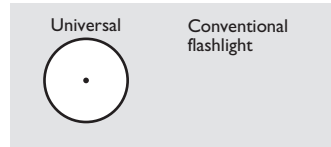
Dimensions in mm

Type	A max.
Lens-end E10/12	22.5
Lens-end E10/13	23.5

Standard vacuum E10

Lens-end vacuum capless

Prefocus P13.5s



Burning position



Miniature and signalling lamps

Conventional flashlight

Type	V	A	Cap/ base	Lumen output	Lamp life 50% h	Ordering number	EOC
LENS-END KRYPTON (E10)							
KLE222	2.25V	0.6A	E10/12	10.00	10	9234 606 02600	-
LENS-END VACUUM (CAPLESS)							
222D	2.2V	0.25A		4.84	5	9234 523 02700	-
LENS-END VACUUM (E10)							
112	1.2V	0.22A	E10/12	0.78	5	9234 519 00700	-
112	1.2V	0.22A	E10/13	0.78	5	9234 518 00700	-
7067D	2.2V	0.18A	E10/13	2.86	15	9234 509 02600	-
554	2.2V	0.25A	E10/13	4.22	20	9234 554 02600	-
222	2.2V	0.25A	E10/13	4.84	5	9234 520 02600	-
554	2.25V	0.25A	E10/12	4.22	20	9242 554 02700	-
222	2.25V	0.25A	E10/12	4.84	5	9234 521 02700	-
243	2.3V	0.27A	E10/12	4.81	10	9234 527 03300	-
243WS	2.3V	0.27A	E10/12	4.81	10	9242 370 03300	-
7068D	2.5V	0.2A	E10/13	4.00	15	9234 514 03200	-
7071D	2.5V	0.3A	E10/13	6.49	10	9234 533 03200	-
7072D	3.7V	0.3A	E10/13	11.30	15	9234 533 05600	-
PREFOCUS ARGON (P13.5s)							
PR32	4.8V	0.7A	P13.5s	42.00	20	9234 401 07800	-
PR12	6V	0.5A	P13.5s	38.10	15	9234 540 10100	-
PR18	7.2V	0.55A	P13.5s	61.40	3	9234 596 13100	-
PR518	7.2V	0.54A	P13.5s	55.00	15	9242 596 13100	-
PR20	8.63V	0.5A	P13.5s	62.80	15	9234 547 15400	-
PREFOCUS KRYPTON (P13.5s)							
KPR104	2.2V	0.47A	P13.5s	7.00	15	9237 841 02600	-
K1	2.4V	0.5A	P13.5s	11.00	6	9242 924 02900	-
KPR101	2.4V	0.52A	P13.5s	11.00	10	9242 910 02900	-
KPR102	2.4V	0.7A	P13.5s	16.50	15	9237 909 02900	-
KPR2C	2.4V	0.725A	P13.5s	14.00	36	9242 931 02900	-
K2	2.4V	0.83A	P13.5s	20.61	5	9242 943 02900	-
KPR131	2.4V	0.835A	P13.5s	18.50	15	9237 919 02900	-
KPR801	2.4V	1.2A	P13.5s	29.50	10	9242 960 02900	-
KPR106	3.6V	0.3A	P13.5s	11.00	10	9237 930 05400	-
KPR3C	3.6V	0.715A	P13.5s	30.50	36	9242 932 05400	-
KPR103	3.6V	0.75A	P13.5s	34.00	20	9237 910 05400	-
KPR5984	4.0V	1.0A	P13.5s	47.00	200	9234 573 06300	-
KPR1941	4.75V	0.5A	P13.5s	35.00	10	9242 925 07700	-
KPR802	4.8V	0.5A	P13.5s	33.00	15	9242 910 07800	-
KPR113	4.8V	0.75A	P13.5s	51.00	20	9237 910 07800	-
KPR813	4.8V	0.93A	P13.5s	80.00	5	9242 945 07800	-
KPR112	6V	0.75A	P13.5s	75.00	20	9237 918 10100	-
KPR118	7.2V	0.75A	P13.5s	100.00	15	9237 917 12800	-

Type	V	A	Cap/ base	Lumen output	Lamp life 50% h	Ordering number	EOC
PREFOCUS VACUUM (P13.5s)							
PR4	2.3V	0.27A	P13.5s	5.90	10	9234 529 02800	-
PR2	2.4V	0.5A	P13.5s	11.40	15	9234 544 02900	-
PR-900	2.5V	0.2A	P13.5s	4.25	15	9234 511 03200	-
PR6	2.5V	0.3A	P13.5s	6.10	30	9234 546 03200	-
PR527	2.7V	0.42A	P13.5s	9.80	20	8222 343 16000	-
PR29	3.5V	0.2A	P13.5s	7.30	15	9234 574 05200	-
PR3	3.6V	0.5A	P13.5s	21.06	15	9234 595 05400	-
PR7	3.7V	0.3A	P13.5s	12.00	30	9234 531 05600	-
PR35	4.6V	0.35A	P13.5s	18.00	15	9242 360 07400	-
PR13	4.75V	0.5A	P13.5s	28.50	15	9234 597 07700	-
PR15	4.8V	0.5A	P13.5s	28.80	30	9234 592 07800	-
PREFOCUS XENON (P13.5s)							
HPX22	2.2V	0.61A	P13.5s	12.3	15	9242 931 02600	-
HPX21	2.4V	0.8A	P13.5s	21.0	15	9242 940 02900	-
HPX20	2.4V	0.93A	P13.5s	26.0	5	9242 945 02900	-
HPX30	3.6V	0.82A	P13.5s	45.5	10	9242 942 05400	-
HPX42	4.7V	0.4A	P13.5s	27.5	15	9242 916 07700	-
HPX40	4.8V	0.79A	P13.5s	66.5	15	9242 939 07800	-
HPX41	4.8V	0.9A	P13.5s	78.0	10	9242 948 07800	-
HPX50	6.0V	0.47A	P13.5s	49.0	5	9242 841 10100	-
HPX51	6.0V	0.55A	P13.5s	52.0	20	9242 924 10100	-
HPX60	7.2V	0.85A	P13.5s	115.0	15	9242 920 12800	-
STANDARD VACUUM (E10)							
6890D	2.5V	0.61A	E10	4.25	15	9234 510 03200	-
7135D	2.5V	0.3A	E10	6.90	10	9234 530 03200	-
6891D	3.5V	0.2A	E10	7.30	15	9234 510 05200	-
7138D	3.7V	0.3A	E10	12.00	15	9234 530 05600	-
702E	4.8V	0.5A	E10/13	26.00	10	9242 410 07800	-
7139DL	4.8V	0.3A	E10/13	16	15	9242 360 07800	-
6875	6.0V	0.33A	E10/13	14	300	9234 318 10100	-

